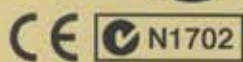


PASSIVE INFRARED SENSOR



PA-6812E (Wide angle) / PA-6810E (360° Round)



PA-6820E (Vertical curtain) / PA-6805E (Spot)

Patent pending : 1
Design pending : 1Wall / Ceiling mount
(Optional attachment : BCW-401)

*COMPACT APPEARANCE,
OUTSTANDING PERFORMANCE
AND LOW PRICED*

COMPACT DESIGN

Our high technology provides the world's smallest dome shaped infrared sensor. Super slim & compact design-120mm in diameter and 47mm in height. 30% smaller than PA-6700 series.



EASY INSTALLATION

Easy separation of the sensor unit and the base unit eases installation and maintenance. The sensor unit can be snapped into and out of the base unit. One touch operation eases installation in high places.

MIRROR OPTIC (PA-6812E / PA-6820E)

The CAD designed optic with our original simulation software has achieved sharp zones. A rotating mirror ensures efficient detection regardless of the area setting.

SILENT RELAY

Photo-mos FET switch relay adopted at alarm output. Completely noiseless by eliminating the movable part which is inside of the relay.

HIGH STABILITY

Signal processing by the original CPU. Excellent R.F.I. and noise immunity. Good protection against insect intrusion.

SENSITIVITY CHANGEOVER

Sensitivity is adjustable by 4 steps : 60%, 80%, 100%, 120%.

PULSE COUNT CHANGEOVER

Mode selector allows setting for 1, 2, 3 or 4 triggers to initiate an alarm output to suit its application. (PA-6812E / PA-6810E / PA-6805E)

ALARM CONTACT CHANGEOVER

Mode selector allows N/O or N/C contact to be selected.

AUTO/MANUAL MEMORY

Alarm memory can be either automatically or manually controlled.

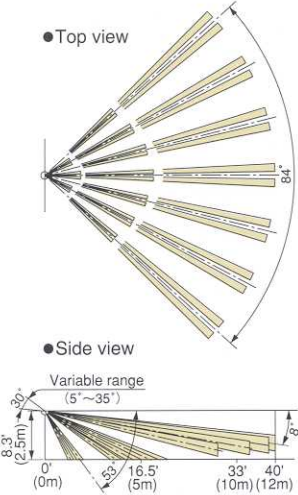
OTHER FEATURES

Distinguishable operation LED - -
Alarm LED : Red, Memory LED : Yellow
Wall / Ceiling mounted with optional attachment BCW-401.

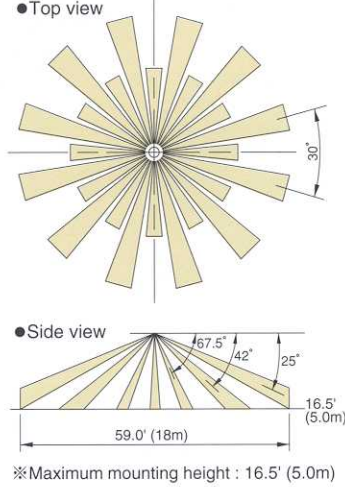
PASSIVE INFRARED SENSOR

COVERAGE AND RANGE

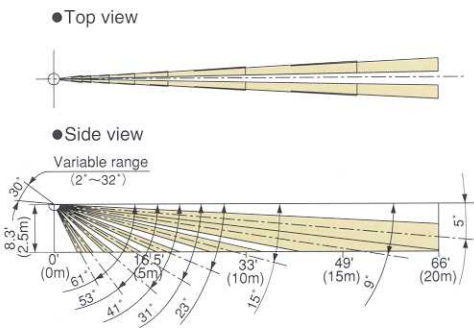
〈PA-6812E (Wide angle)〉



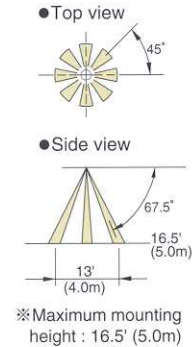
〈PA-6810E (360° Round)〉



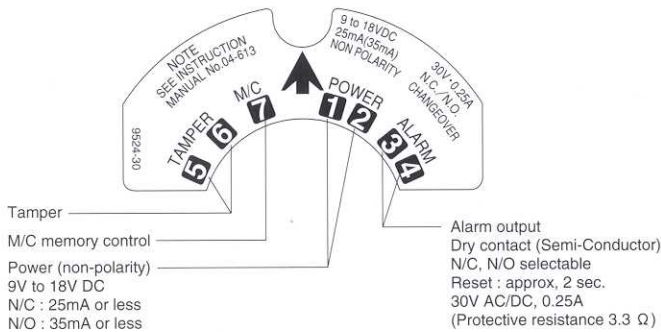
〈PA-6820E (Vertical curtain)〉



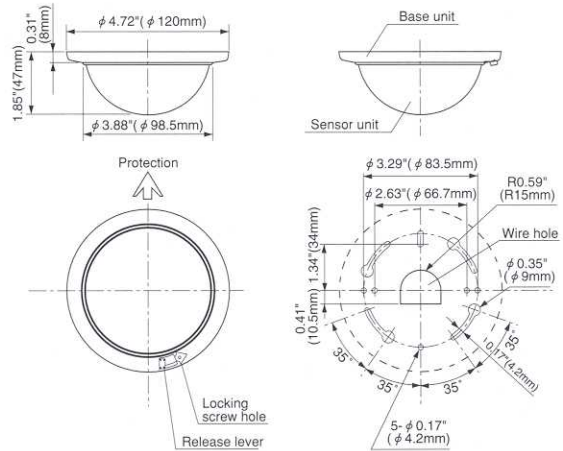
〈PA-6805E (Spot)〉



TERMINAL ARRANGEMENT



EXTERNAL DIMENSIONS



OPTIONAL

- Wall / Ceiling mount attachment BCW-401



SPECIFICATIONS

Model	PA-6812E	PA-6810E	PA-6805E	PA-6820E
Detection system	Passive infrared			
Coverage	Wide angle 40'(12m)Max.	360° Round φ59'(φ18m)Max.	Spot φ13'(φ4m)Max.	Vertical curtain 66'(20m)Max.
Sensitive zone	17 pairs	33 pairs	9 pairs	8 pairs
Supply voltage	9 to 18V DC (non-polarity)			
Current consumption	N/C : 25mA Max. N/O : 35mA Max.			
Alarm output	Dry contact (Semi-Conductor) (N/C, N/O selectable) Reset : Approx. 2 sec., 30V, 0.25A Max. (protective resistance 3.3Ω)			
Alarm memory	Auto : 3 minutes flashing, 47 minutes lighting and automatically reset Manual : Manual control			
Alarm LED	Red : Flashing at warning up Lighting at alarm (LED disabled)			
Memory LED	Yellow : Flashing at memory activated Lighting at memory indication			
Adjustment	Vertically 30° Horizontally 25°	Horizontally 25°		Vertically 30° Horizontally 25°
Count changeover	1 / 2 / 3 / 4 changeover			—
Ambient temperature range	-15°C to +55°C (+5°F to +131°F) without condensation			
Mounting position	Indoor ceiling (wall mount with optional attachment BCW-401)			
Wiring connection	Terminals on separate base unit			
Weight	110g (3.85oz)			
Appearance	Body : ABS resin Cover : PE resin			
Accessory	Tapping screw : 2 pcs. Sensor locking screw : 1 pce.			

The specifications are subject to change without notice.

Please note : This sensor is designed to detect intrusion and to initiate an alarm ; it is not a burglary-preventing device. PULNiX is not responsible for damage, injury or losses caused by accident, theft, Acts of God (including inductive surge by lightning), abuse, misuse, abnormal usage, faulty installation or improper maintenance.

LEAF 11-01P12-10

PULNiX

In Japan

Takenaka Engineering Co., Ltd.
83-1, Gojo-sotokan, Higashino,
Yamashina-ku, Kyoto 607-8156, Japan
Tel : 81-75-501-6651
Fax : 81-75-593-3816
<http://www.takeex-eng.co.jp/>

In the U.S.

Pulnix Sensors Inc.
230 E. Caribbean Drive
Sunnyvale, CA 94089, U.S.A.
Tel : 408-747-0100
Fax : 408-734-1100
<http://www.pulnixsensors.com/>

In Australia

Pulnix Sensors Inc.
Unit 16, 35 Garden Road, Clayton,
Victoria 3168, Australia
Tel : 03-9546-0533
Fax : 03-9547-9450
<http://www.pulnixsensors.com.au/>

In the U.K.

Pulnix Europe Ltd.
Pulnix House, Avairy Court, Wade Road,
Basingstoke, Hampshire, RG24 8PE, U.K.
Tel : 01256-475555
Fax : 01256-466268
<http://www.pulnix.co.uk/>

TAKEX PASSIVE INFRARED SENSOR

Wide angle protection : PA-6812E 360° Round protection : PA-6810E
 Vertical curtain protection : PA-6820E Spot protection : PA-6805E

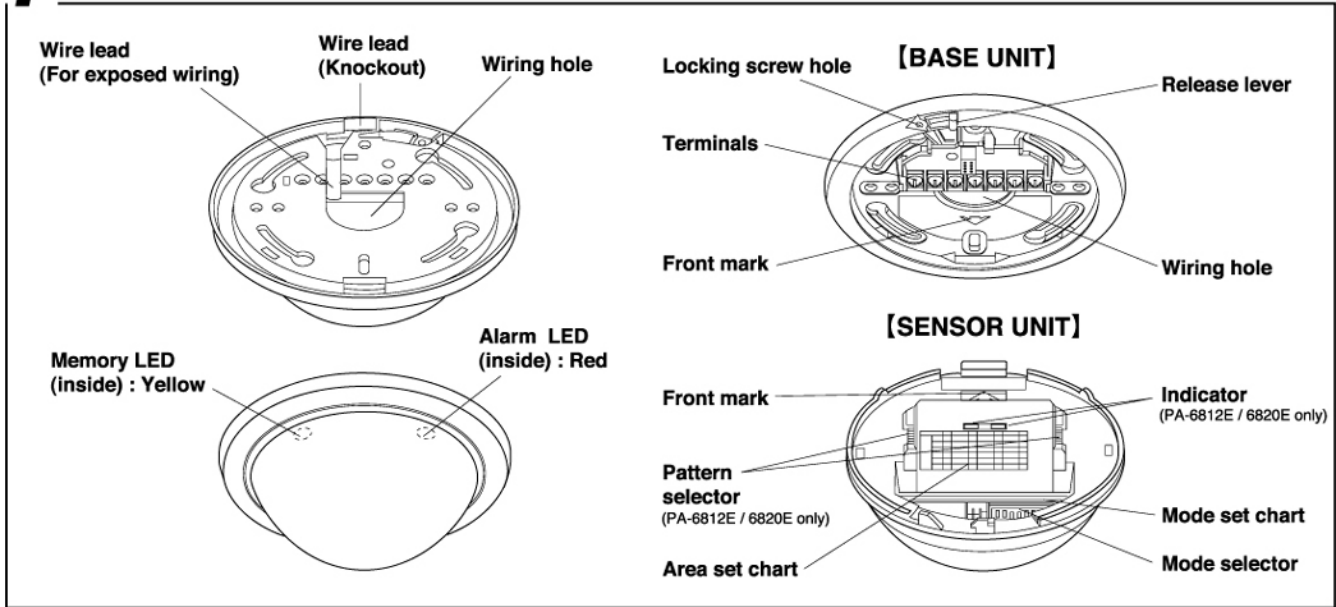
Instruction Manual

We appreciate your purchase of a TAKEX passive infrared sensor. This sensor will provide long and dependable service when properly installed. Please read this Instruction Manual carefully for correct and effective use.

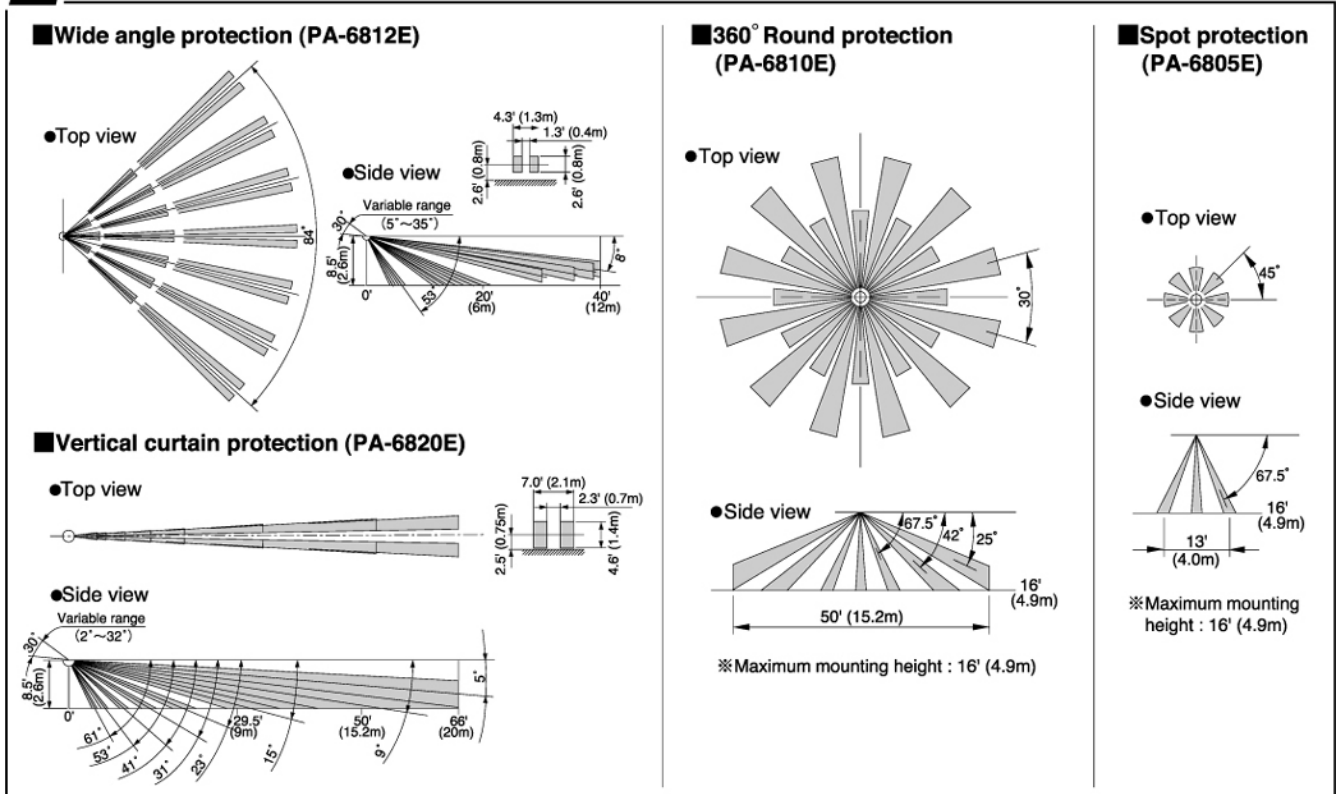
Please Note : This sensor is designed to detect intrusion and to initiate an alarm ; it is not a burglary-preventing device.

TAKEX is not responsible for damage, injury or losses caused by accident, theft, Acts of God (including inductive surge by lightning), abuse, misuse, abnormal usage, faulty installation or improper maintenance.

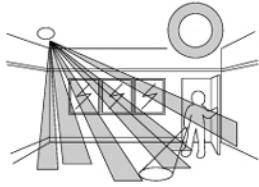
1 PARTS DESCRIPTION



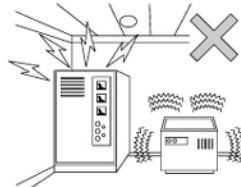
2 COVERAGE AND RANGE



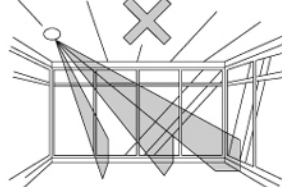
3 DO'S AND DON'T'S



● Install the sensor in a location such that intruders are more likely to cross the protection zones, rather than approach head on.



● Do not install in a site which is subject to electrical noise or intense vibration.



● Avoid direct sunlight, spot light or intense reflections on the sensor or the protection zone.



● Do not install the sensor outdoors (indoor only).

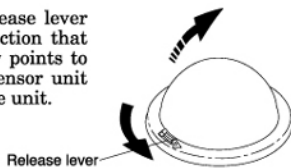
[MAINTENANCE]

1. When the unit is soiled, clean the cover with a soft cloth moistened with a small amount of cleansing -solution. Do not use chemicals such as thinners or alcohol.
2. Check operation once a week. Do not fail to check operation whenever furniture in coverage area is moved.

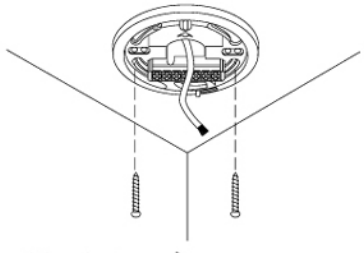
● The passive infrared sensor is designed to detect infrared energy variations caused by the presence of a human body. Therefore, note that similar variations in conditions in protection area, due to other reasons, may cause the sensor to create an alarm as it is unable to distinguish between sources.

4 INSTALLATION

- (1) Slide release lever to a direction that an arrow points to detach sensor unit from base unit.



- (2) Mount the base on the ceiling with screws. Fix so that the front mark (↑) is pointing to the center of protection area. (PA-6810E / 6805E : the front mark should be pointed to the area where the alarm LED is checked at walk test.)



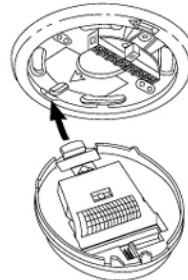
* Break knockout and put the wire through wire lead on base unit, when exposed wiring.



- (3) Connect the wires to the terminals referring to the paragraph on WIRING.

- (4) Set the protection area referring to the paragraph on PATTERN SETTING.

- (5) Match up a front mark on base unit with that on sensor unit.

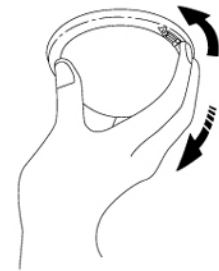


- ① Put a sensor unit into a base unit from front mark side.

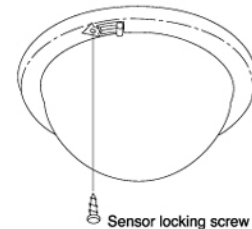
- ② Push sensor unit until release lever will click.



- (6) When sensor unit is detached, hold it and slide release lever as illustrated.

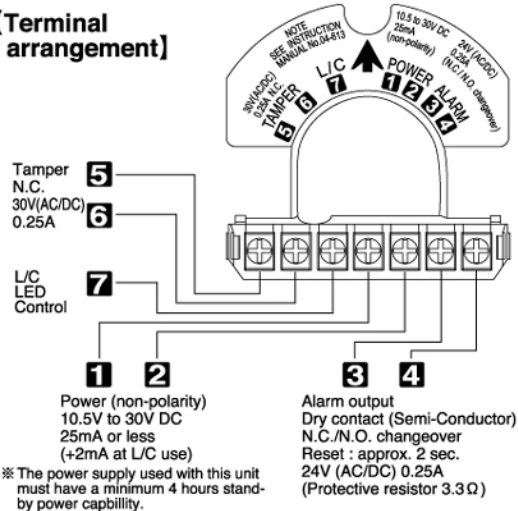


- (7) When sensor unit is locked, tighten the locking screw.



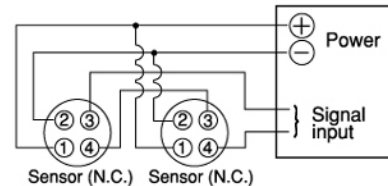
5 WIRING

[Terminal arrangement]



[Basic connection]

(When two units are used)



[Allowable wiring distance between sensor and power source]

Size of wire used	Distance at 12VDC
AWG 22 (Dia. 0.65mm)	830 ft. (250m)
AWG 20 (Dia. 0.80mm)	1460 ft. (450m)
AWG 18 (Dia. 1.00mm)	2300 ft. (700m)

Note 1) The maximum wire length, when two or more units are connected, is the above distance divided by the number of units.

2) The protection circuit can be wired to a distance of 3,280 ft. (1,000m) with AWG 22 (0.65mm dia.) wire.

* Allow approx. one minute for warm-up after power is applied. (Alarm LED is flashing) In the meantime, an alarm is not initiated.

* After the one minute has passed the unit will be in the armed condition and will trigger when detecting a human body.

* All wiring should be in accordance with the national electric code NFPA-70.

6 PATTERN SETTING

PA-6812E (Wide angle protection) - PA-6820E (Vertical curtain protection)

[Vertically]

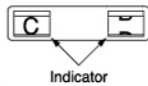
The protection area can be set depending on installation height and max. protection distance by the pattern selector on the rear of sensor, referring to the area set chart.

Note : Alphabet letters appear alternately on the indicator.

●PA-6812E

▲ DOWN C UP ▼

DISTANCE	10	13	16	20	23	26	30	33	36	40
ft	3.0	4.0	4.9	6.0	7.0	7.9	9.0	10.0	11.0	12.0
m	6.5	2.0	G	E	D	C	B	B	A	A
HEIGHT	8.5	2.6	I	G	F	E	D	C	B	B
ft	10	3.0	K	I	G	F	E	D	C	C
m	13	4.0	-	J	H	G	F	E	E	D
ft	16	4.9	-	-	J	I	H	G	F	E



[i.e.]

When the sensor is to protect an area 40' (12m) at 10' (3m) height, turn the pattern selector such that the indicator shows "C".

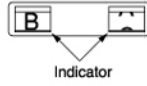
[Horizontally]

Make use of mounting hole for horizontal adjustment. (25° adjustable)

●PA-6820E

▲ DOWN B UP ▼

DISTANCE	20	25	30	35	40	45	50	55	60	66
ft	6.0	7.6	9.0	10.7	12.0	13.7	15.2	16.8	18.3	20.0
m	6.5	2.0	D	C	B	B	B	A	A	A
HEIGHT	8.5	2.6	E	D	D	C	C	B	B	B
ft	10	3.0	G	F	E	D	D	C	C	B
m	13	4.0	I	G	F	E	E	D	D	C
ft	16	4.9	K	I	H	G	F	F	E	E



[i.e.]

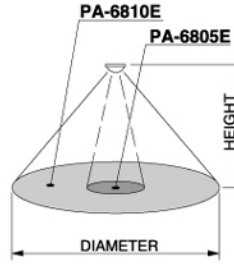
When the sensor is to protect an area 66' (20m) at 10' (3m) height, turn the pattern selector such that the indicator shows "B".

PA-6810E (360° Round protection)
PA-6805E (Spot protection)

[Vertically]

An area adjustment is unnecessary as PA-6810E / 6805E are designed to protect 360° area round the sensor unit itself.

The following table shows protection area according to installation height.



MOUNTING HEIGHT	COVERAGE DIAMETER					
	PA-6810E		PA-6805E			
ft	m	ft	m	ft	m	
6.5	2.0	23	7.0	5	1.6	
8.5	2.6	29	8.8	6.5	2.0	
10	3.0	33	10.0	8	2.4	
13	4.0	46	14.0	10	3.1	
16	4.9	50	15.2	13	4.0	

[Horizontally]

Make use of mounting hole for horizontal adjustment. (25° adjustable)

7 OPERATION

- Turn the power ON, and wait for 1 minute until the alarm LED stops flashing.
- Walk test in the protection area to check if an alarm is activated. Check on both of the alarm LED and control panel.
- After correct operation has been confirmed, turn the alarm LED OFF with mode selector on the rear of sensor unit. (When set at OFF, the alarm LED does not light even if an alarm is activated.)

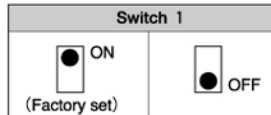
8 MODE SETTING

Sensor operation can be adjusted by mode selectors on the rear of unit to suit its application / environment.

ON	ON	N.O.	120	80	1	3
OFF	OFF	N.C.	100	60	2	4
1 LED	2 MEMORY	3 ALARM	4,5 SENS. (%)	6,7 COUNT		

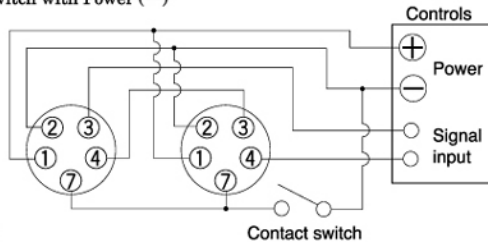
(1) Alarm LED ON/OFF

ON : Lights at alarm
OFF : LED disabled



LED CONTROL FUNCTIONS

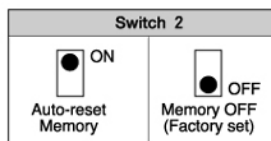
Wire terminal ⑦ (L/C) through an external control contact switch with Power (-)



●OPERATION

Turn the Mode selector ① OFF
When the switch is turned ON, the alarm LED lights at alarm.
When the switch is turned OFF, the alarm LED does not light.

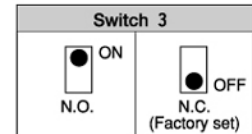
(2) Changeover of alarm memory



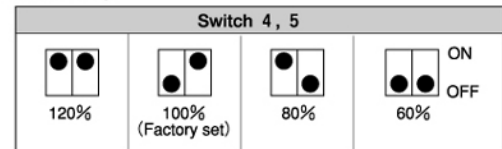
Operation : Memory is always stored when sensor is armed.
When an alarm has been activated, the memory LED flashes for 3 min. and then remains lit for 47 min. It automatically reset and memory is also canceled.

(3) Changeover of alarm contact

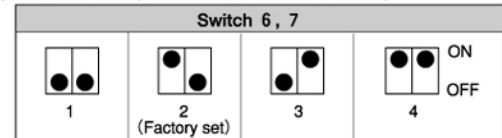
ON : N.O.
OFF : N.C.



(4) Sensitivity

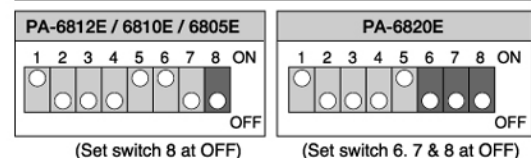


(5) Pulse count (PA-6812E / 6810E / 6805E)



- 1 : Most sensitive.
2 : Normally set to this position.
3 / 4 : Least sensitive, prevents false alarms caused by temperature fluctuation.

FACTORY SET AT



9 TROUBLESHOOTING

Solve possible problems according to the following table. If normal operations cannot be restored by this means, contact either the dealer from whom you bought the unit or TAKEX.

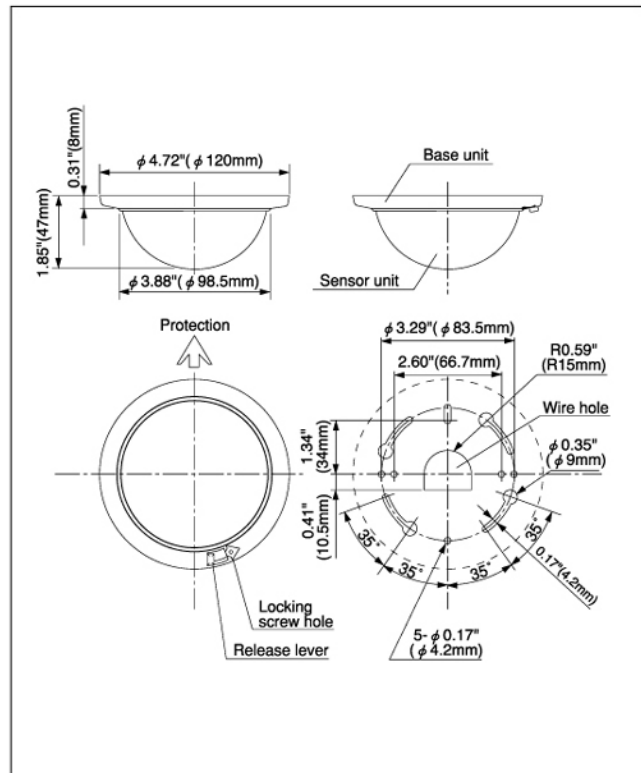
Trouble	Check	Corrective Action
Completely inactive	No power supply, broken wire or improper voltage.	Correct power supply or replace broken wire.
	Not yet 1 minute after power turned on (Alarm LED is flickering.)	Allow for warming up time (about 1 min.)
	Cover shielded by substances (including glass).	Remove the substances.
	Improper area adjustment.	Readjust the protection area setting.
Sometimes inactive	Improper area adjustment.	Readjust the protection area setting.
	Cover face is soiled with dust or water drop.	Clean the cover with soft cloth. (Do not use chemicals such as thinners or alcohol.)
	Is the protection range proper ?	Reposition so that the range is proper.
Activated when no person has passed	Unstable power voltage.	Stabilize the power voltage.
	Something moving in protected area or too rapid temperature variations.	Remove the cause.
	Large electrical noise source such as power machine nearby or its wiring close to that of sensor.	Relocate device.
	Intense reflection of sun light or head light shining on the sensor.	Relocate device. Shield with a blind.
	Is the sensor reacting to passersby outside ?	Readjust the protection area.
The alarm LED lights, but connected units are inactive	Poor contact output connection or broken wire or short circuit.	Check the wiring or connection.
	Contact output is not working.	Check the contact output terminal using a tester.
	Is the connected unit operation normal ?	Check the connected unit.

10 SPECIFICATIONS

Model	PA-6812E	PA-6810E	PA-6805E	PA-6820E
Detection system	Passive infrared			
Coverage	Wide angle 40' (12m) Max.	360° Round φ50' (φ15.2m) Max.	Spot φ13' (φ4m) Max.	Vertical curtain 66' (20m) Max.
Sensitive zone	17 pairs	33 pairs	9 pairs	8 pairs
Supply voltage	10.5 to 30V DC (non-polarity)			
Current consumption	25mA Max. (+2mA at L/C use)			
Alarm signal	Dry contact (Semi-Conductor) (N.C. / N.O. changeover) Reset : Approx. 2 sec., 24V (AC/DC) 0.25A (protective resistor 3.3Ω)			
Alarm memory	3 minutes flashing, 47 minutes lighting and automatically reset			
Alarm LED	Red : Flashing at warming up Lighting at alarm (LED disabled)			
Memory LED	Yellow : Flashing at memory activated Lighting at memory indication			
Adjustment	Vertically : 30°		Vertically : 30°	
	Horizontally : 25° (on mounting hole of base)			
Count changeover	1 / 2 / 3 / 4 changeover			
Ambient temperature range	+5° F to +131° F (-15° C to +55° C) without condensation			
Mounting position	Indoor ceiling (wall mount with optional attachment BCW-401)			
Wiring connection	Terminals on separate base unit			
Weight	3.85oz (110g)			
Appearance	Body : ABS resin		Cover : PE resin	
Accessory	Tapping screw : 2 pcs. Sensor locking screw : 1 pce.			

The specifications are subject to change without notice.

11 EXTERNAL DIMENSIONS



Limited Warranty :

TAKEX products are warranted to be free from defects in material and workmanship for 12 months from original date of shipment. Our warranty does not cover damage or failure caused by Acts of God (including inductive surge by lightning), abuse, misuse, abnormal usage, faulty installation, improper maintenance or any repairs other than those provided by TAKEX. All implied warranties with respect to TAKEX, including implied warranties for merchantability and implied warranties for fitness, are limited in duration to 12 months from original date of shipment. During the Warranty Period, TAKEX will repair or replace, at its sole option, free of charge, any defective parts returned prepaid. Please provide the model number of the products, original date of shipment and nature of difficulty being experienced. There will be charges rendered for product repairs made after our Warranty period has expired.

TAKEX TAKENAKA ENGINEERING CO., LTD.

In Japan

Takenaka Engineering Co., Ltd.
83-1, Gojo-sotokan, Higashino,
Yamashina-ku, Kyoto 607-8156, Japan
Tel : 81-75-501-6651
Fax : 81-75-593-3816
http : // www. takex-eng. co. jp /

In the U.S.

Takex America Inc.
1330 Orleans Drive, Sunnyvale,
CA 94089, U.S.A.
Tel : 408-747-0100
Fax : 408-734-1100
http : // www. takex. com

In Australia

Takex America Inc.
Unit 16/35 Garden Road, Clayton,
3168 Victoria, Australia
Tel : 03-9546-0533
Fax : 03-9547-9450

Takex America Inc.
Brisbane office : 1/50 Logan
Road, Woolloongabba
Queensland 4102, Australia
Tel : 07-3891-3344
Fax : 07-3891-3355

In the U.K.

Takex Europe Ltd.
Takes House, Aviary Court, Wade Road,
Basingstoke, Hampshire. RG24 8PE, U.K.
Tel : (+44) 01256-475555
Fax : (+44) 01256-466268
http : // www. takexeurope. com